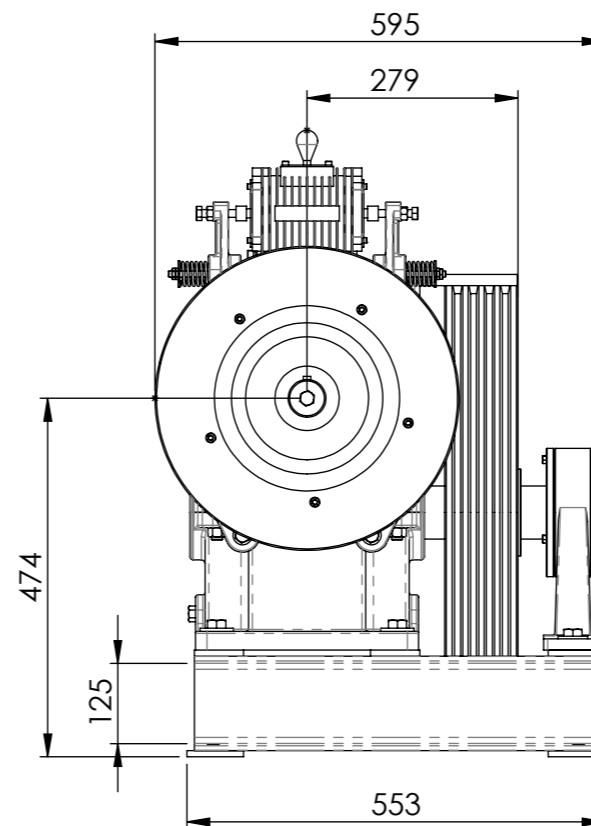
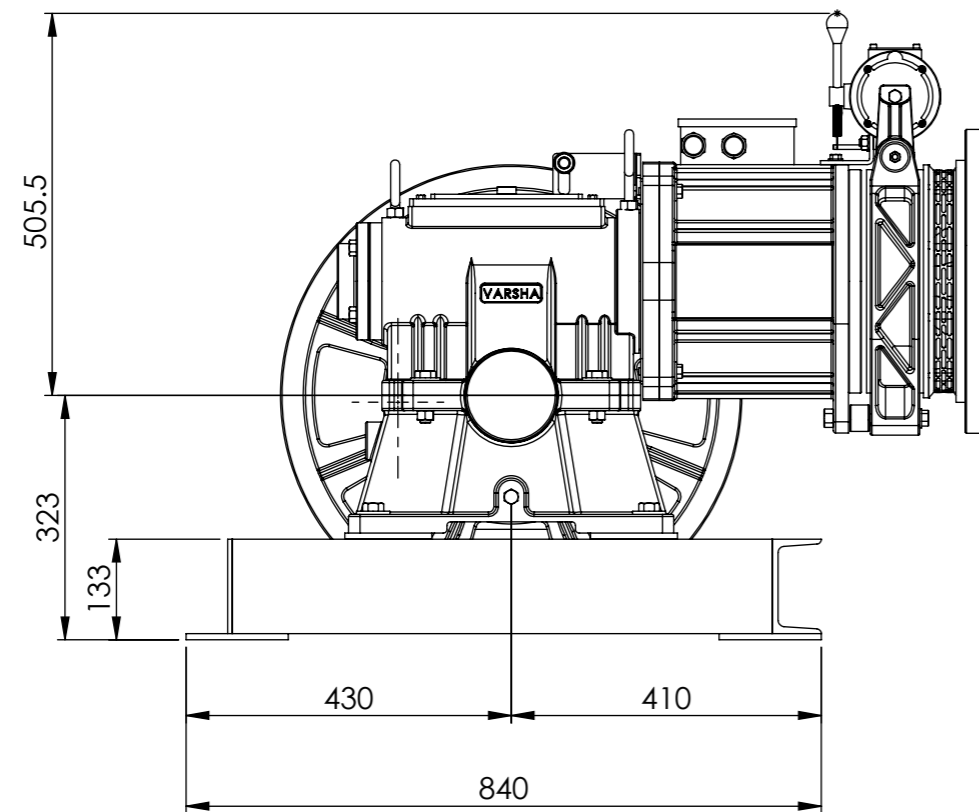
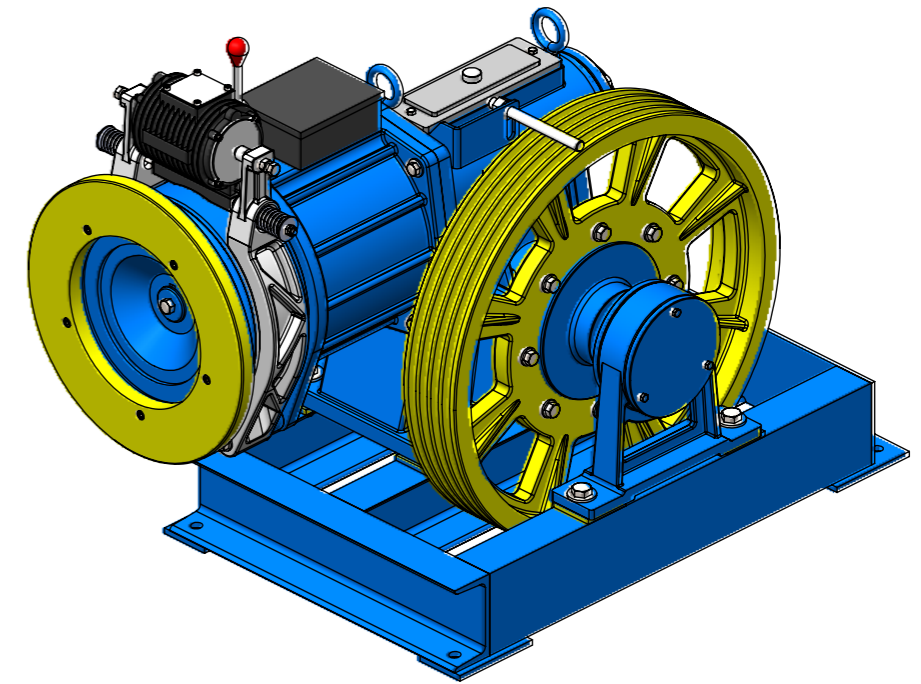
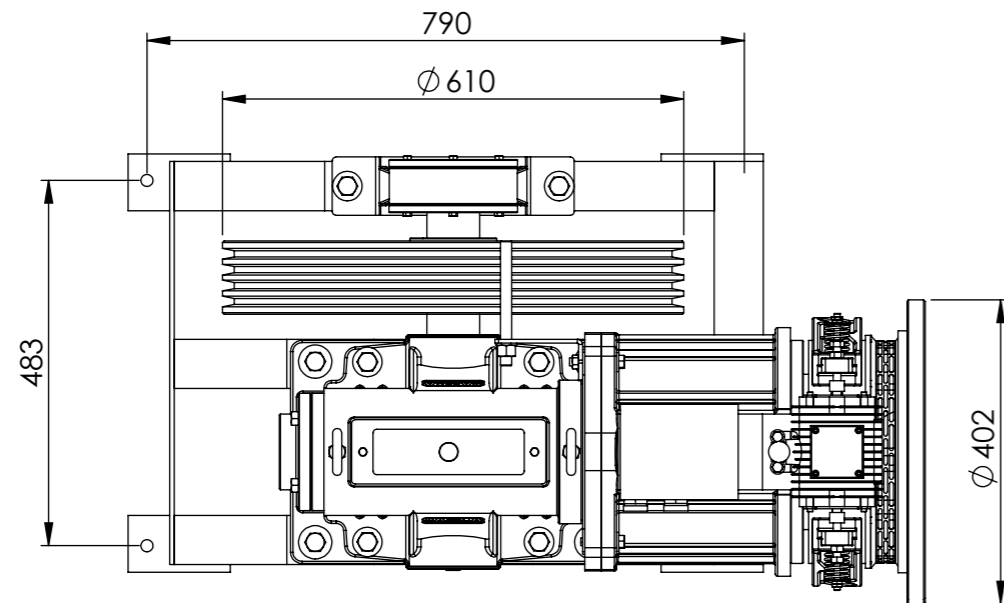


WEIGHT(K.G) :-



TITLE:—		DRAWN		SCALE		1:1/A3	
VI-10 UT		DATE		MATERIAL			
		CHECKED		QTY.:—			
THIS PRINT IS THE EXCLUSIVE PROPERTY OF SETPL AND IS CONFIDENTIAL IT IS NOT TRANSFERABLE & IS FURNISHED WITH THE CLEAR UNDERSTANDING THAT IT IS NOT BE COPIED WITHOUT PERMISSION AND IS RETURNABLE UPON DEMAND .		HEAT TREAT.:—		GEN. TOL. FOR OPEN DIMN. TO IS:2102 TABLE FOR MEDIUM			
		USED ON:—					
		UNLESS OTHERWISE SPECIFIED BREAK ALL SHARP CORNERS					
ROUGHNESS VALUES		N1=0.025	N4=0.2	N7=1.6	N10=12.5	N12=50	
Ra – MICROMETRE		N2=0.05	N5=0.4	N8=3.2	N11=25		
1micrometre=0.01mm		N3=0.1	N6=0.8	N9=6.3			
VARSHA INDUSTRIES		DRG. NO.:—		REV.		SHEET	
info@varshaindustries.com +91-7623044424						1 OF 1	