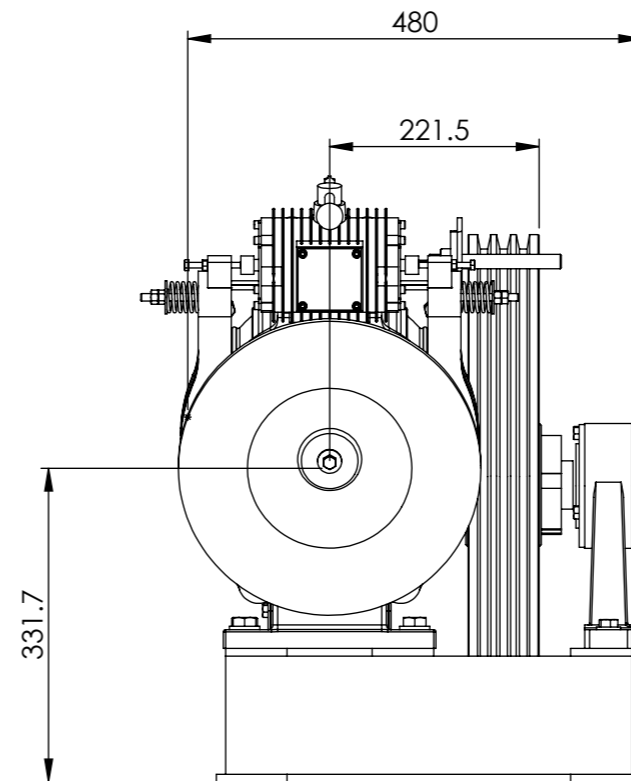
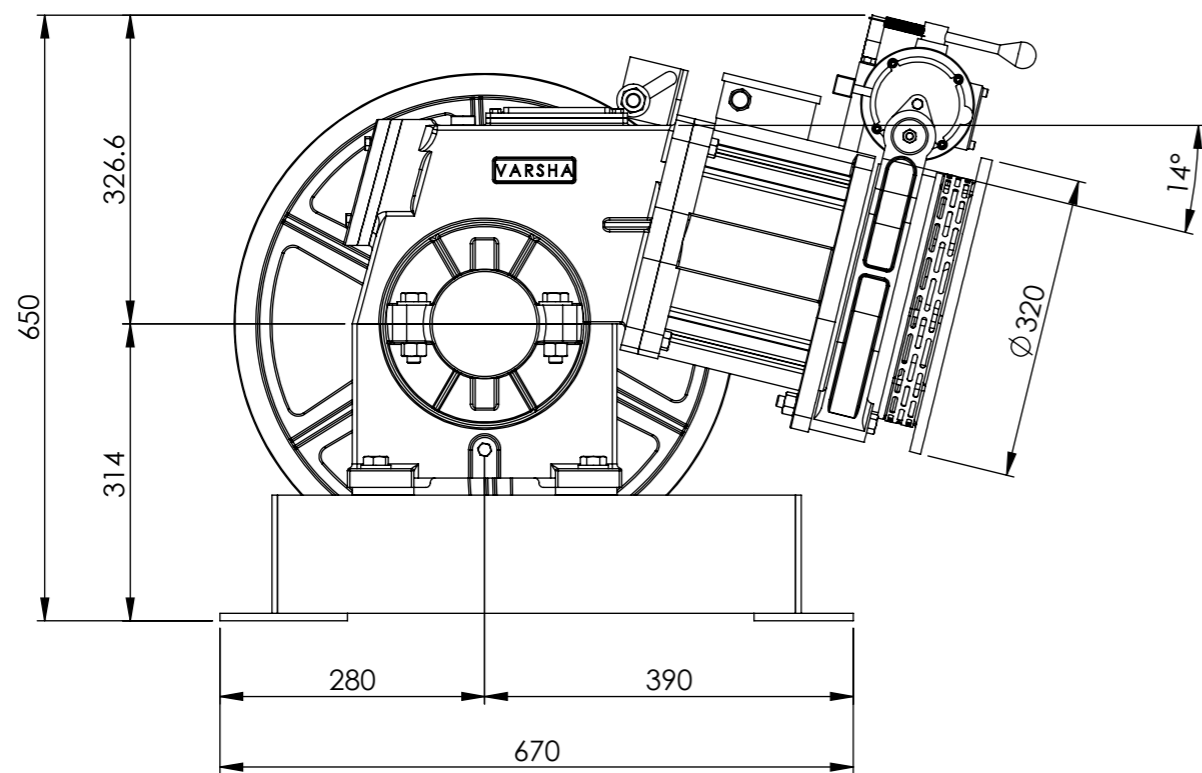
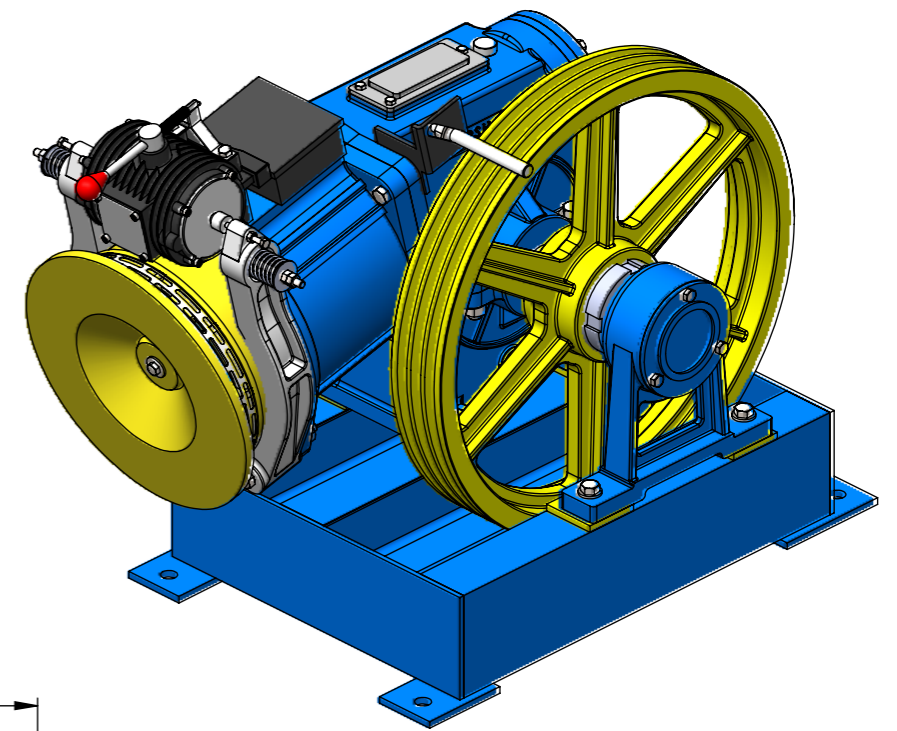
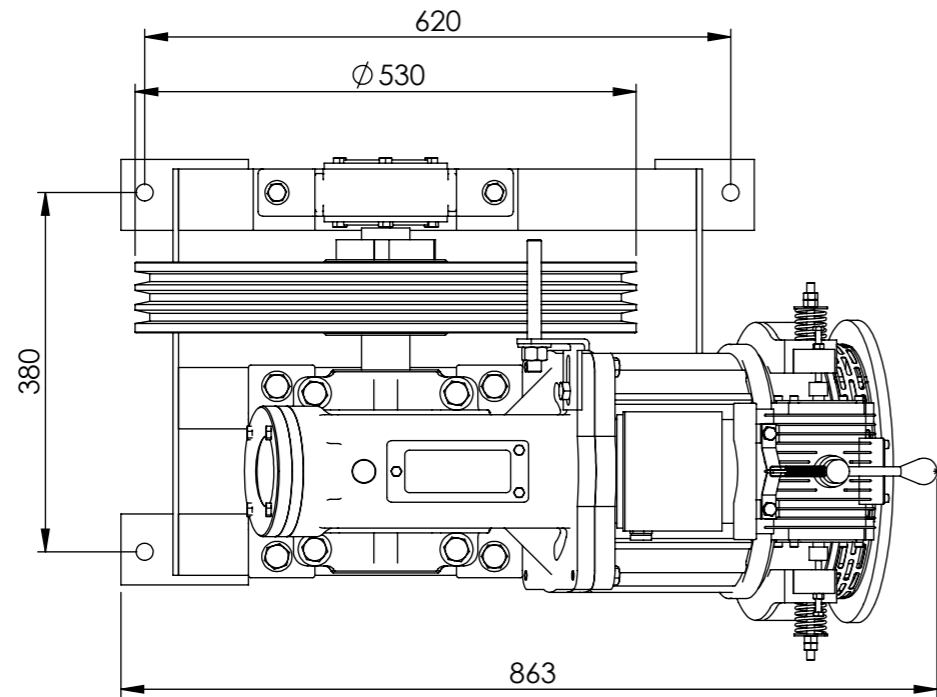


WEIGHT(K.G) :-



TITLE:—		DRAWN		SCALE		1:1/A3	
<b>VI-61 R1</b>		DATE		MATERIAL			
		CHECKED		QTY.:—			
THIS PRINT IS THE EXCLUSIVE PROPERTY OF SETPL AND IS CONFIDENTIAL IT IS NOT TRANSFERABLE & IS FURNISHED WITH THE CLEAR UNDERSTANDING THAT IT IS NOT BE COPIED WITHOUT PERMISSION AND IS RETURNABLE UPON DEMAND .		HEAT TREAT.:—		GEN. TOL. FOR OPEN DIMN. TO IS:2102 TABLE FOR MEDIUM			
		USED ON:—					
		UNLESS OTHERWISE SPECIFIED BREAK ALL SHARP CORNERS					
ROUGHNESS VALUES		N1=0.025		N4=0.2		N7=1.6	
Ra – MICROMETRE		N2=0.05		N5=0.4		N8=3.2	
1micrometre=0.01mm		N3=0.1		N6=0.8		N9=6.3	
		N10=12.5		N11=25		N12=50	
VARSHA INDUSTRIES		DRG. NO.:—		REV.		SHEET	
info@varshaindustries.com +91-7623044424						1 OF 1	